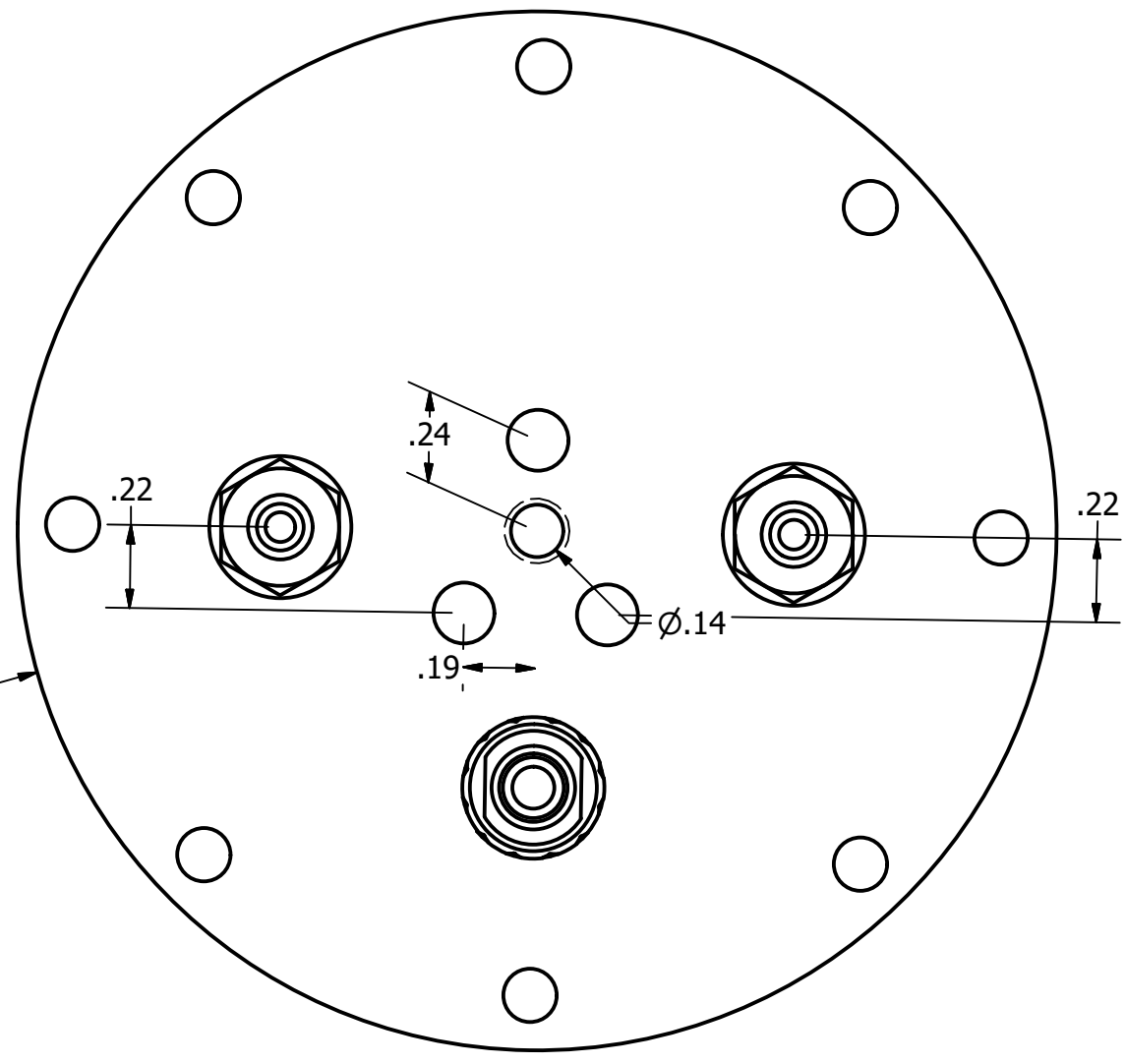
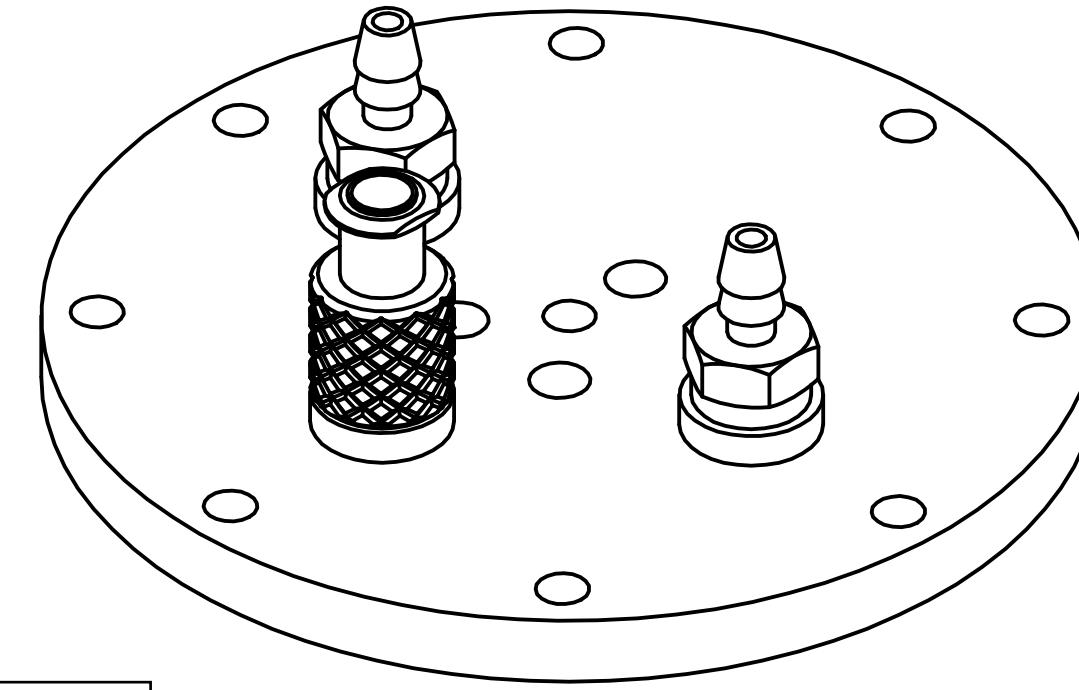


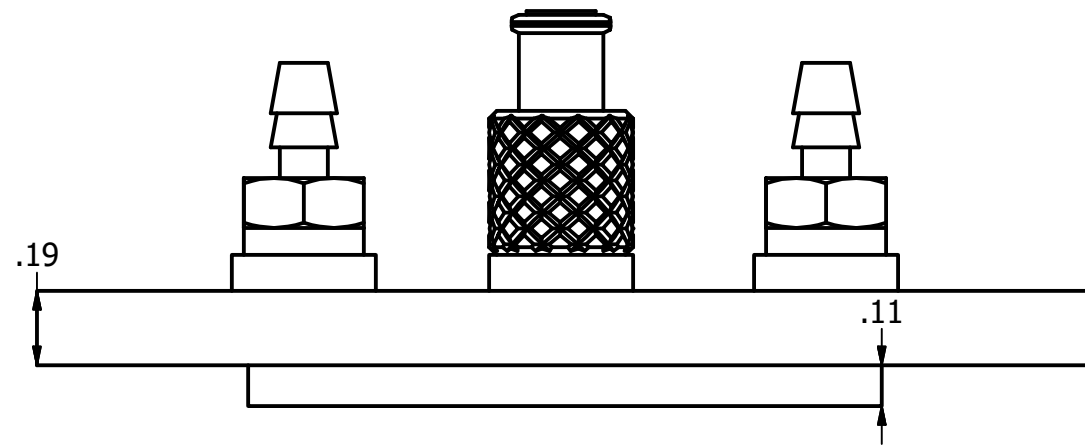
# Reactor Top



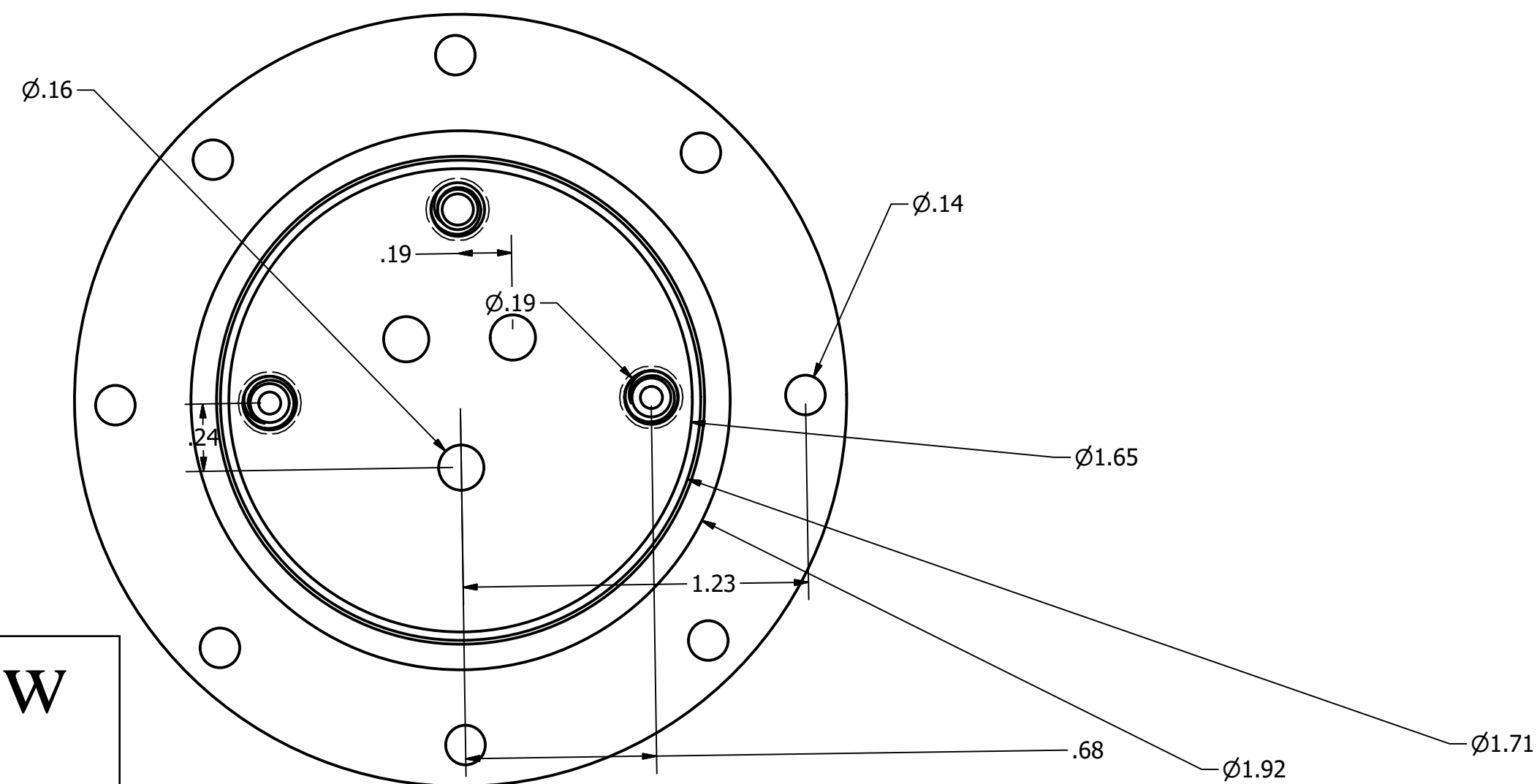
Top View



Side View



Side View

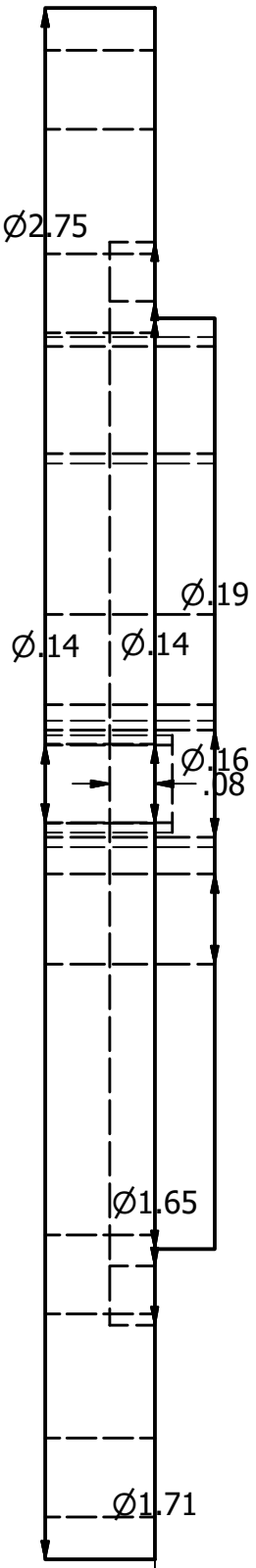
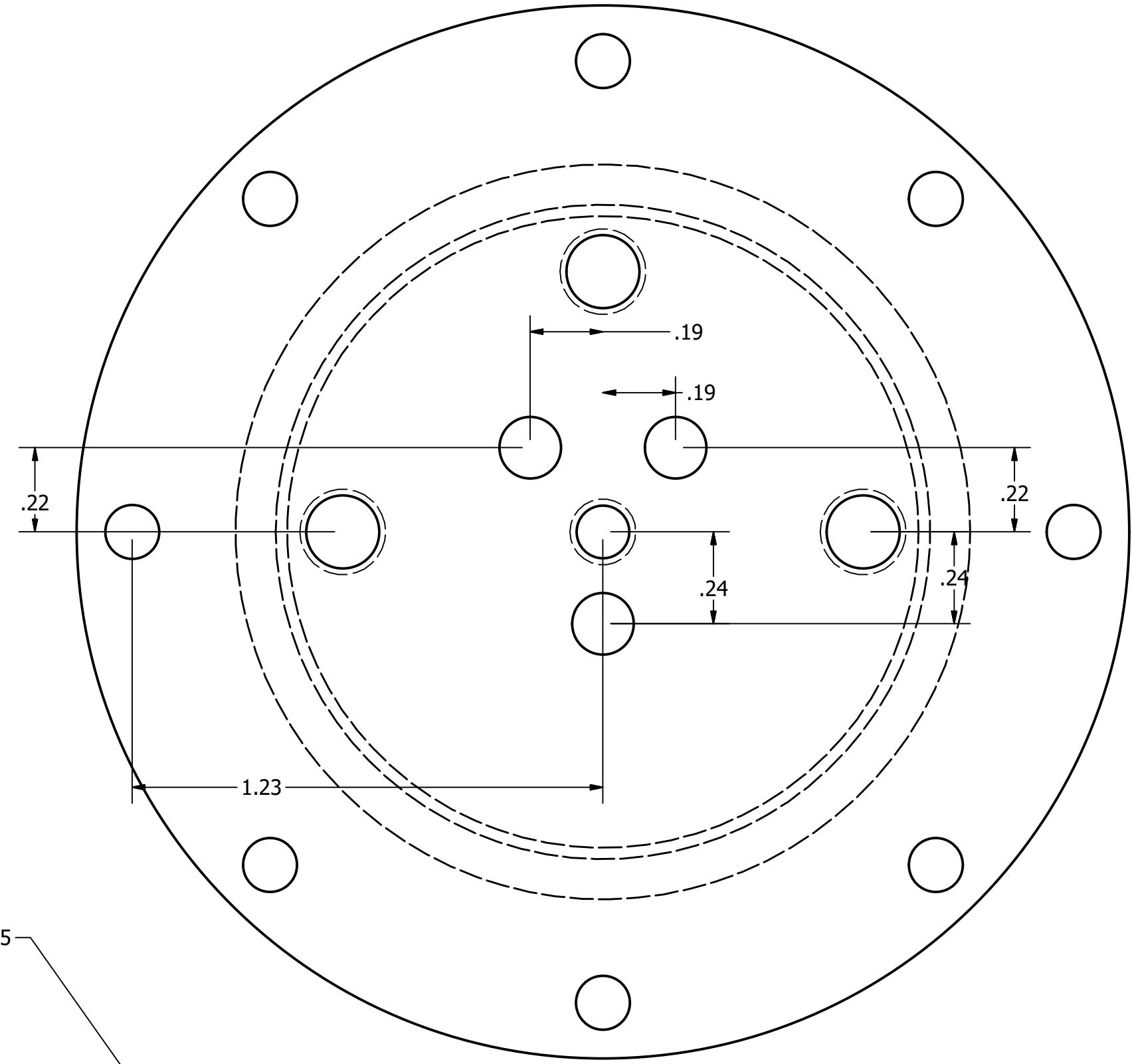


Bottom View

DRAWN Komal				
CHECKED				
QA		TITLE		
MFG				
APPROVED				
		SIZE D	DWG NO	REV
		SCALE 2 : 1	SHEET 1 OF 1	

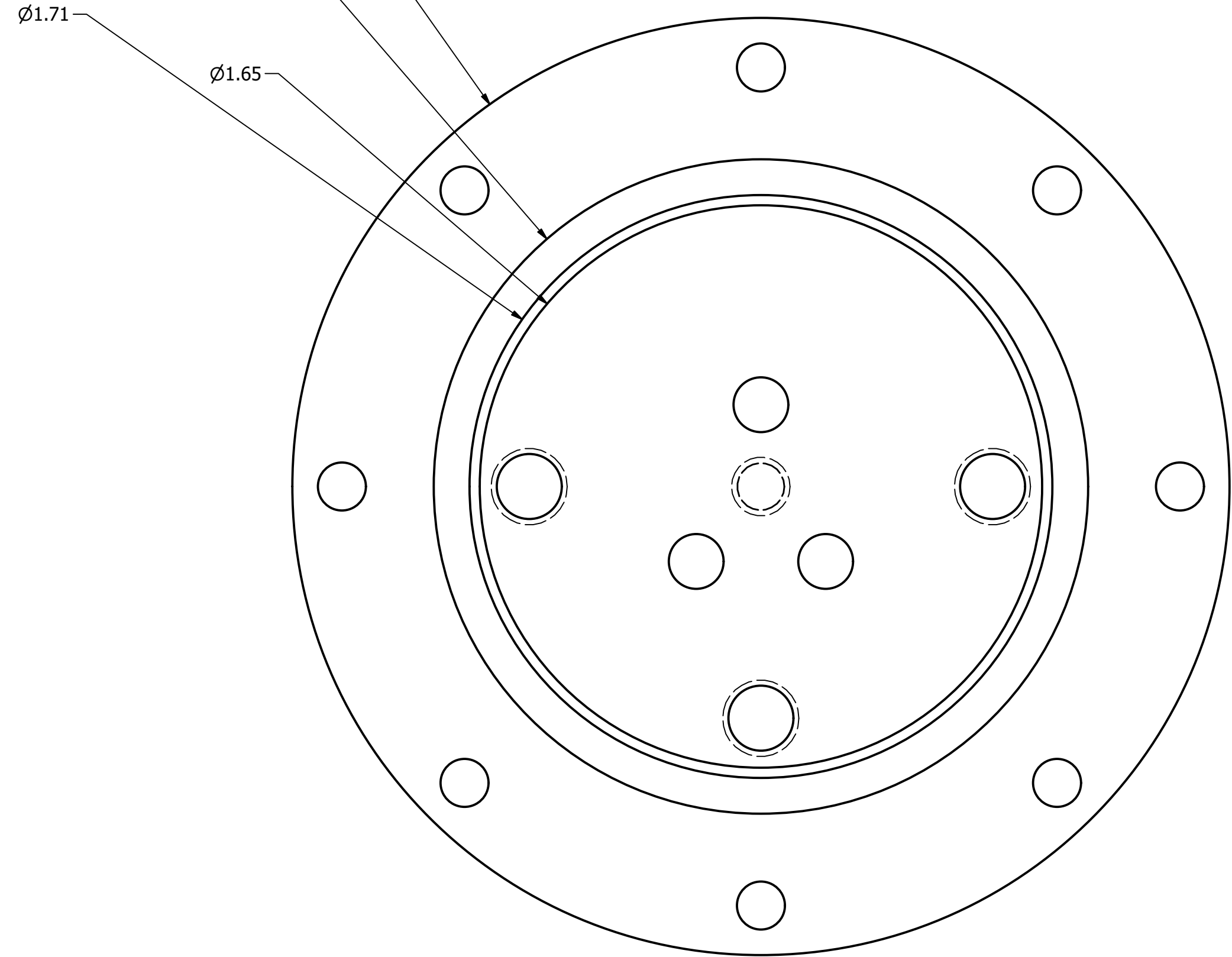
# Reactor Lid

## Top View

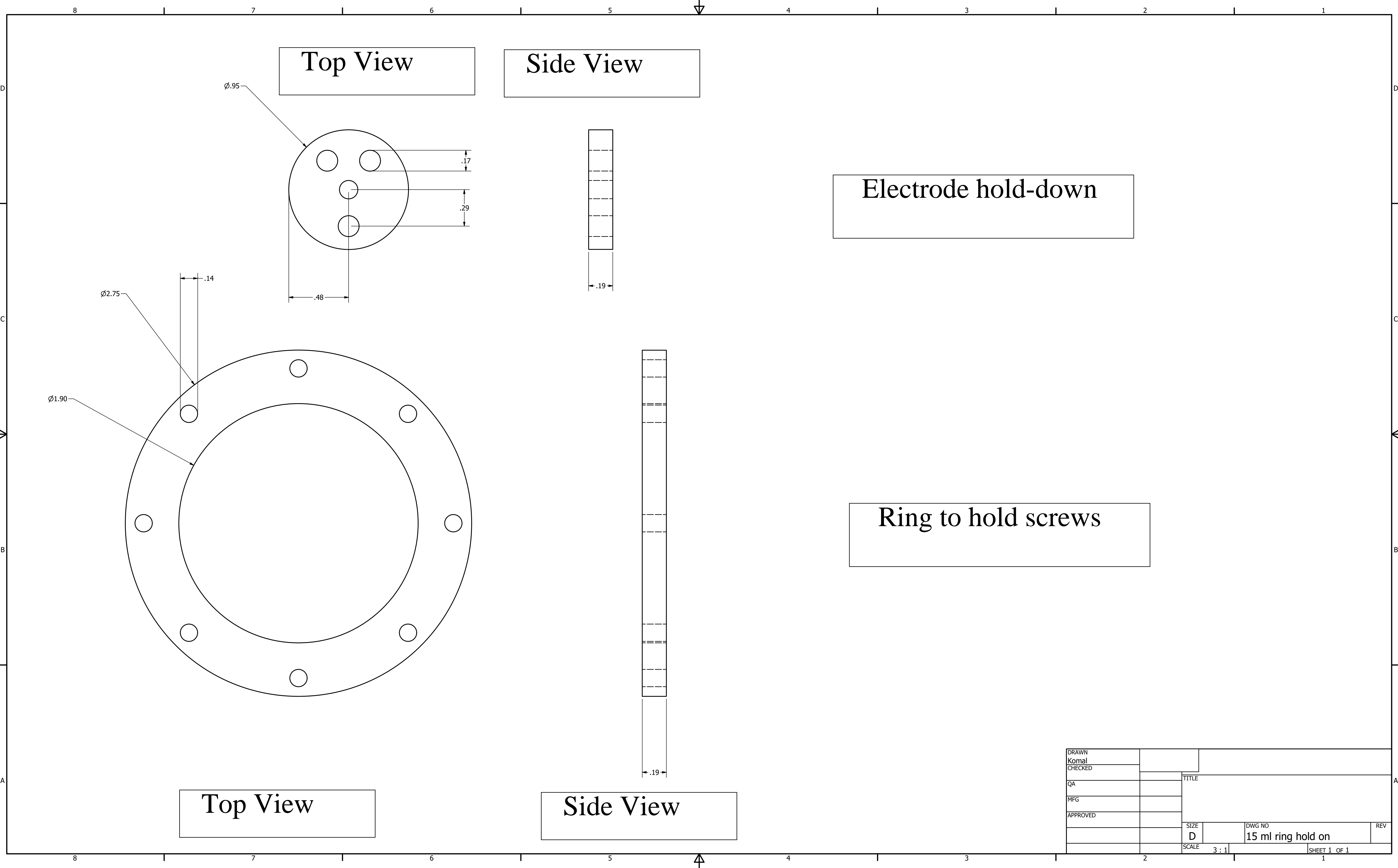


## Side View

## Bottom View



DRAWN Komal				
CHECKED		TITLE		
QA				
MFG				
APPROVED				
		SIZE D	DWG NO 15 mL lid-1	REV
		SCALE 3 : 1	SHEET 1 OF 1	



Top View

Side View

Electrode hold-down

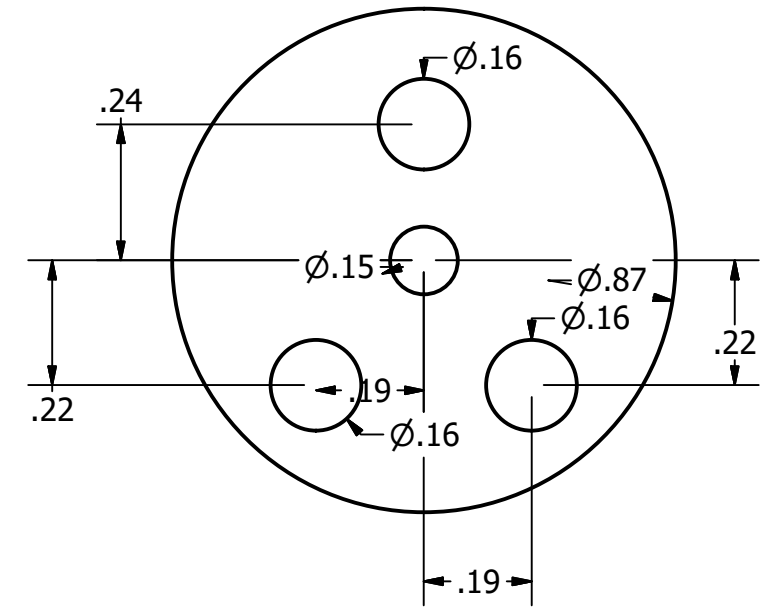
Ring to hold screws

Top View

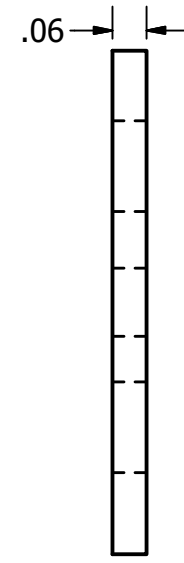
Side View

DRAWN Komal			
CHECKED		TITLE	
QA			
MFG			
APPROVED			
	SIZE D	DWG NO 15 ml ring hold on	REV
	SCALE 3 : 1	SHEET 1 OF 1	

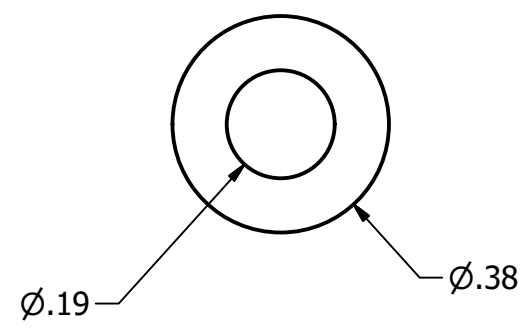
# Gaskets



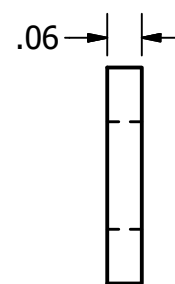
Top View



Side View



Top View



Side View

DRAWN Komal			
CHECKED		TITLE	
QA			
MFG			
APPROVED			
	SIZE D	DWG NO gasket ring washer 15ml	REV
	SCALE 3 : 1	SHEET 1 OF 1	