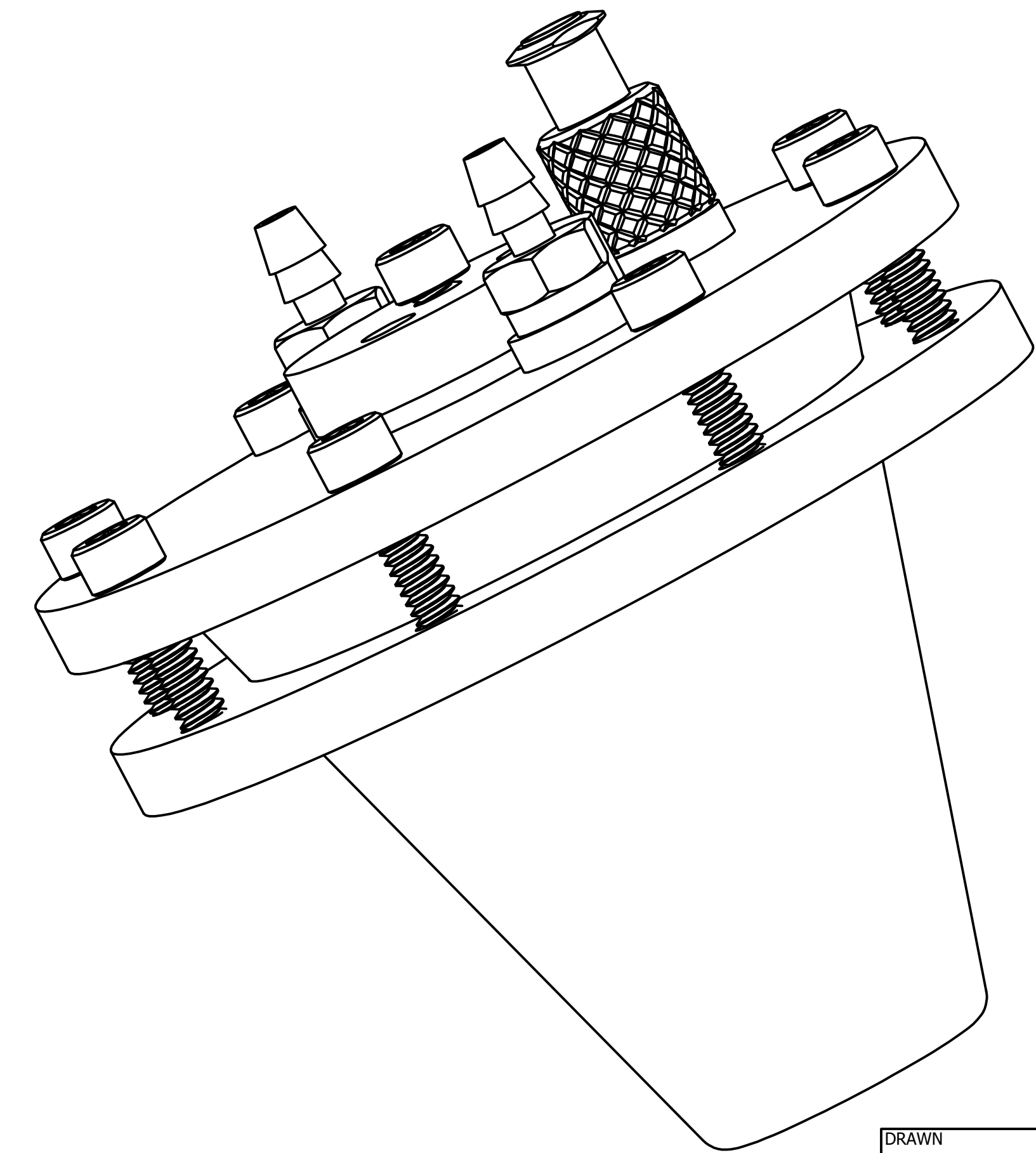
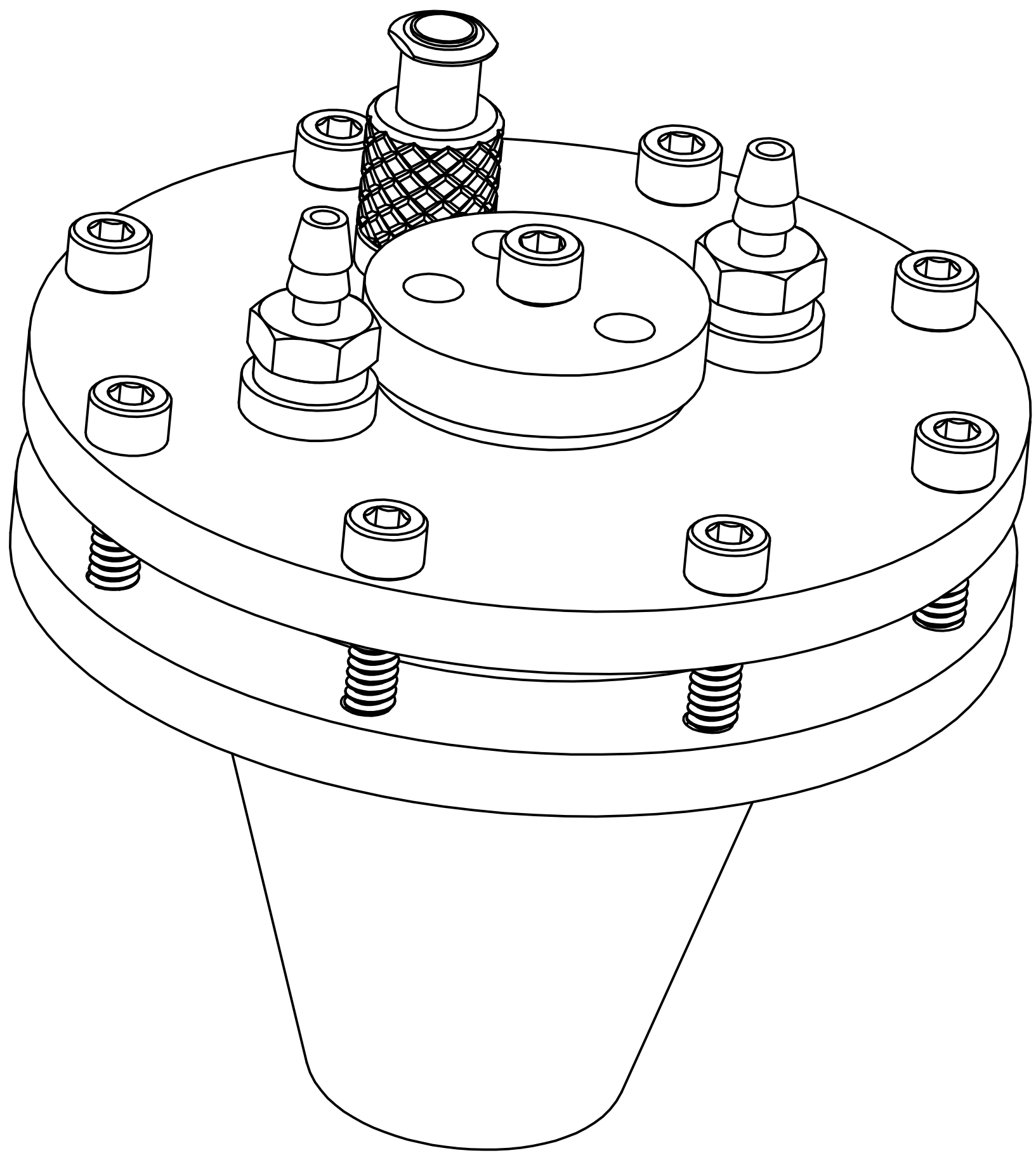
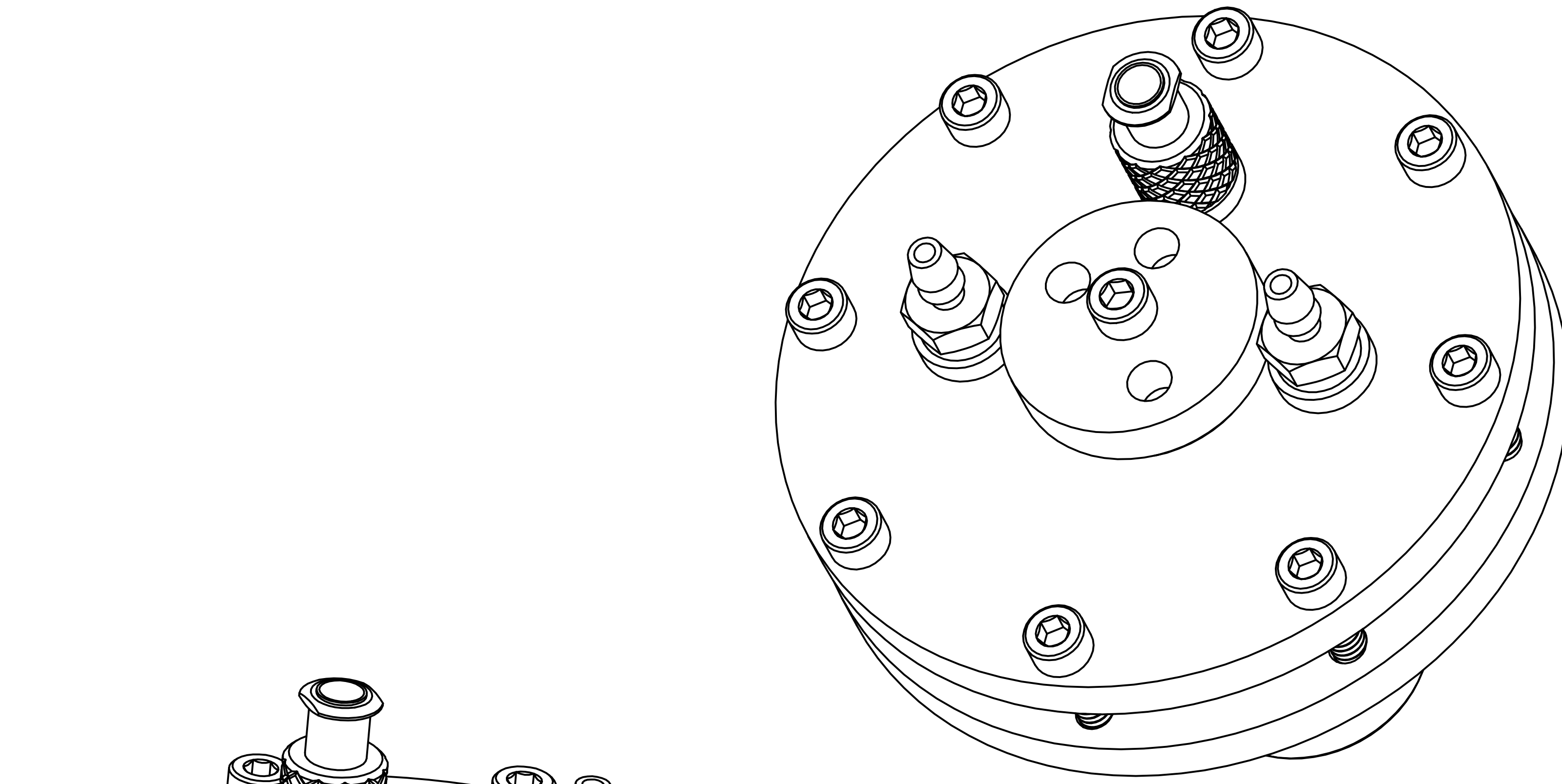


8 7 6 5 4 3 2 1



| | | | |
|----------|-----------|--------------|-----------|
| DRAWN | 2/22/2017 | | |
| Komal | | TITLE | |
| CHECKED | | | |
| QA | | | |
| MFG | | | |
| APPROVED | | | |
| | | SIZE | DWG NO |
| | | D | Assembly1 |
| | | SCALE | 3 : 1 |
| | | SHEET 1 OF 1 | |

8 7 6 5 4 3 2 1